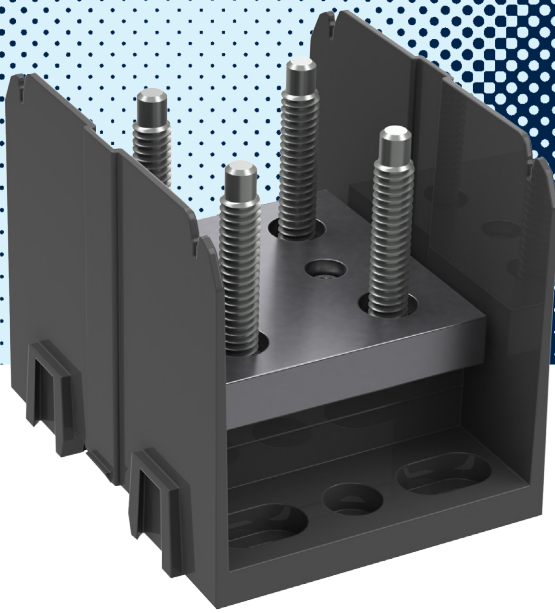


Product Data Sheet

HVPB212

Add suffix "CH" for snap-on
hinged cover

Power Terminal Block



1500 Amps 1500 Volts AC/DC

Wire Range

- Line and Load: (2) 3/8" studs
 - Suitable for listed lugs or flexible bus bar
 - Lugs must fit on 3/8" studs, 1.50" (38.1 mm) max width

Electrical Ratings

- 1500 amps with prepared wire
- 985 amps with flexible bus bar
- Voltage:
 - 1500V per UL 1059 class E & CSA 22.2 No.158, class C requirements
 - 600V per UL 1059 service & industrial class (B, C & E) requirements
 - 600V per CSA 22.2 no.158 service & industrial class C requirements
- Short circuit current rating (SCCR) - see table below
- Factory & field wiring

Agency Compliance

- UR - UL recognized terminal block, evaluated to UL 1059, file no. XCFR2.E62806
- cUR - UL evaluated to CSA 22.2 no.158, file no. XCFR8.E62806

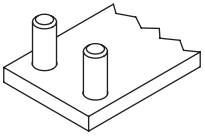
Material Information

- Insulator base:
 - Thermoplastic
 - Flammability rating of insulator base UL94V0
 - Insulator base temperature rating: -40°C to 110°C (UL RTI)
- Connector - copper, tin plated
- Anchor screws - steel, zinc plated
- Terminal studs - steel, zinc plated
- Hardware - nuts, flat washer, Belleville washer - steel, zinc plated
- RoHS compliant

A Regal Brand

REGAL

Termination Specifications

Line/Load Side	Termination Type	Torque	Stud Length	Maximum Lug/Bar Width
	Listed lugs or flexible bus bar on 3/8" studs	28.2 N·m / 250 lbf·in	37.1 mm / 1.46"	39.8 mm / 1.55"

- For use with conductors prepared with Listed connectors such as single hole compression/crimp lugs or listed ring, fork or spade terminals.
- Conductor size, ampacity, temperature rating and type are dictated by the ratings of the listed lugs utilized and applicable code requirements.
- For information on copper stranded wire classes please reference:
<http://www.marathonsp.com/CatalogPDFs/Flexible-Stranded-Wire.pdf>

Short Circuit Ratings

Suitable Conductor kcmil/AWG or Prepared Flexibar		Overcurrent Protection Device	SCCR, RMS	Volts, Max
Line	Load			
500 - 2/0	500 - 2/0	no OCPD	25kA	480
*10 x 63 x 1 to *4 x 32 x 1	*10 x 63 x 1 to *4 x 32 x 1	no OCPD	25kA	480

*Flexibar

Installation & Accessories

- Mounting (Panel):
 - For use with #10 fastener with flat washer (max diameter 9/16")
 - Torque mounting fastener to 25-30 lbf-in (2.8 - 3.4 N-m)

- Safety Guidelines:
 - Use provided hardware (flat washer, Belleville washer & nuts)
 - Accessory cover (optional) is not intended to provide insulation for electrical spacings
 - Stack lugs in decreasing width order. Ensure contact is maintained throughout the connection

- Covers:
 - Hinge covers available upon request
 - Catalog Number: CH1332
 - Covers are black polycarbonate

Drawing

